



**RAYCHEM**

Repair kit  
T2Green, T2Blue,  
T2Blue-Mat,  
T2Black & QuickNet  
U-ACC-FH-CW-SP

REPARATUR-SET

KIT DE RÉPARATION

REPARATIEKIT

REPARASJONSSETT

REPARATIONS-KIT

REPARATIONSSÆT

KORJAUSSARJA

KIT DI RIPARAZIONE

ZESTAW NAPRAWCZY

РЕМОНТНЫЙ КОМПЛЕКТ

OPRAVNÁ SOUPRAVA

JAVÍTÓKÉSZLET



T2Green

T2Blue

T2Black

QuickNet

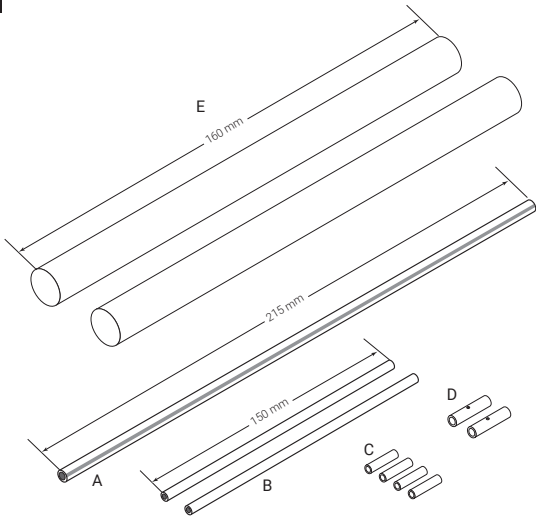
T2Green

T2Blue

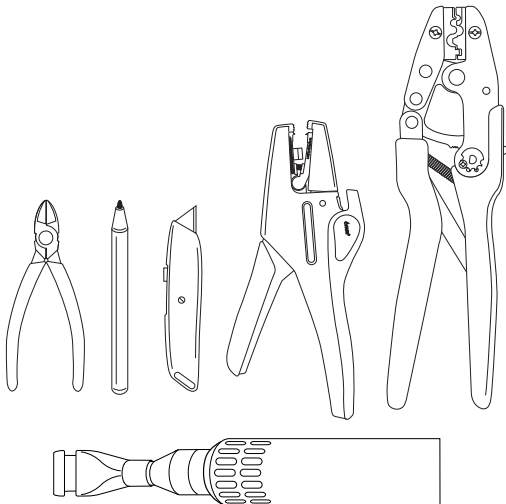
T2Black

QuickNet

**A**



**B**



## ENGLISH

- A Yellow/green wire
- B Connection wires
- C, D Crimps
- E Heat-shrinkable sleeves

## DEUTSCH

- A Gelber/grüner isolierter Draht
- B Isolierte Verbindungsdrähte
- C, D Crimp-Verbinder
- E Schrumpfschläuche

## FRANÇAIS

- A. File jaune/vert
- B. Files connecteurs
- C, D Fûts à sertir
- E Manchons thermorétractables

## NEDERLANDS

- A Gele/groene draad
- B Draden voor verbindingen
- C, D Krimpverbinding
- E Krimpkousen

## NORSK

- A Gul/grønn ledning
- B Ledninger for link
- C, D Klemforbindelser
- E Fôringer som krymper under varme

## SVENSKA

- A Gul/grön tråd
- B Trådar för anslutning
- C, D Klämhylsor
- E Krymphylsor

## DANSK

- A Gul/grøn wire
- B Tilslutning wirer
- C, D Klemmer
- E Krympbare slanger

## SUOMI

- A Keltavihreä johdin
- B Johdot yhteyden muodostamiseksi
- C, D Puristushylsyt
- E Kutistelektut

## ITALIANO

- A Filo giallo/verde
- B Fili per la connessione
- C, D Connettori
- E Manicotti termorestringenti

## POLSKI

- A Drut w kolorze żółto-zielonym
- B Przewody do połączenia
- C, D Zaciski zagniatane
- E Koszulki termokurczliwe

## РУССКИЙ

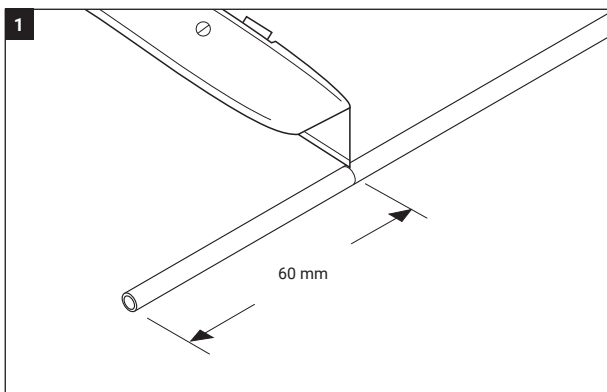
- A Жёлтая/зелёная проволока
- B провода для подключения
- C, D Гофры
- E Термоусадочные трубки

## ČESKY

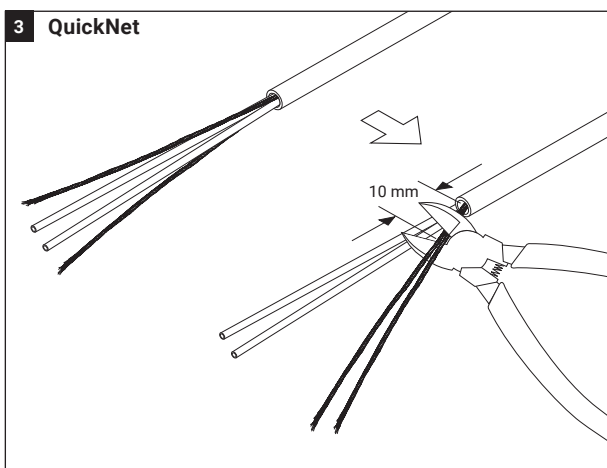
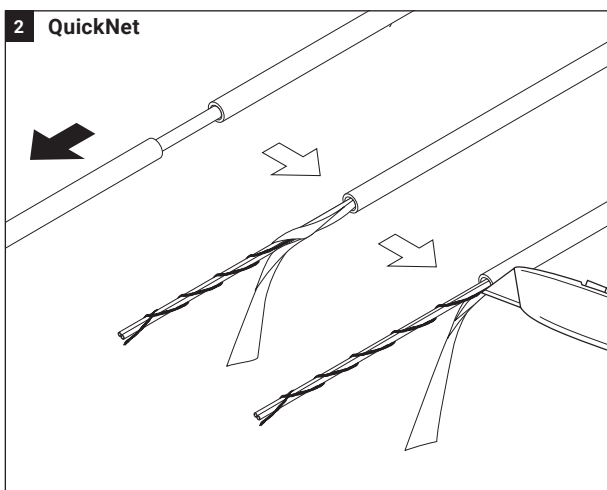
- A Žlutozelený vodič
- B Vodiče pro připojení
- C, D Obruby
- E Teplem smršťované trubice

## MAGYAR

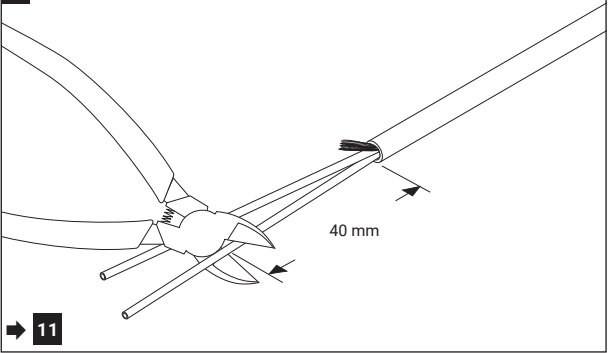
- A Žuta/zelena huzal
- B vezetékek a csatlakozáshoz
- C, D Cjevčice za zaštitu spoja
- E Termoskuplajuce spojnice



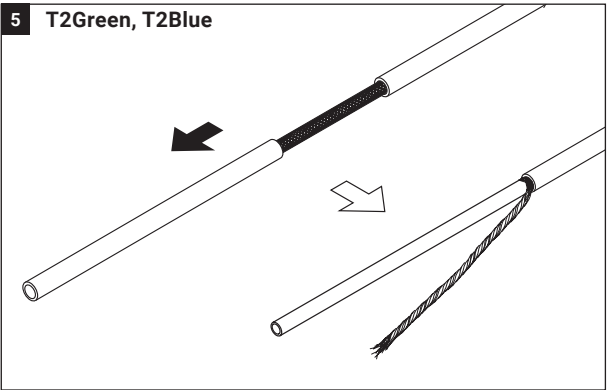
QuickNet → **2** T2Green/T2Blue → **5** T2Black → **8**



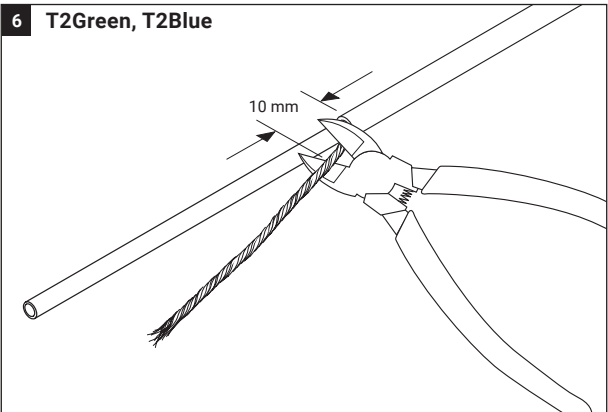
**4 QuickNet**



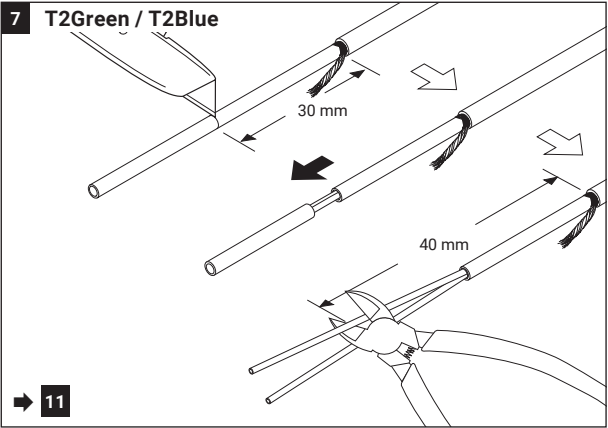
**5 T2Green, T2Blue**



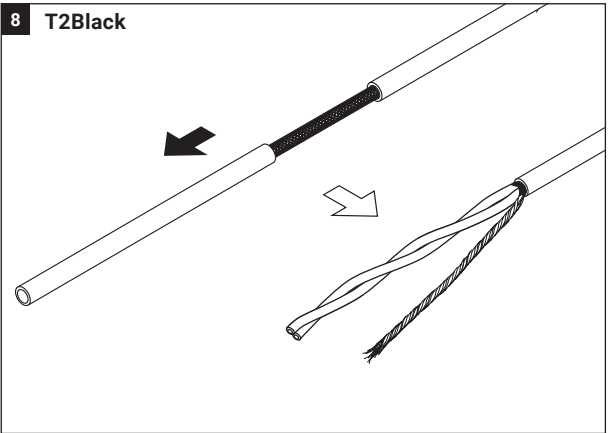
**6 T2Green, T2Blue**



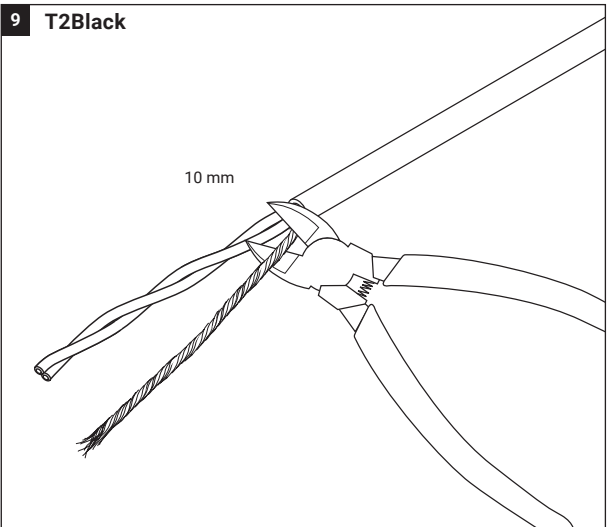
**7** T2Green / T2Blue



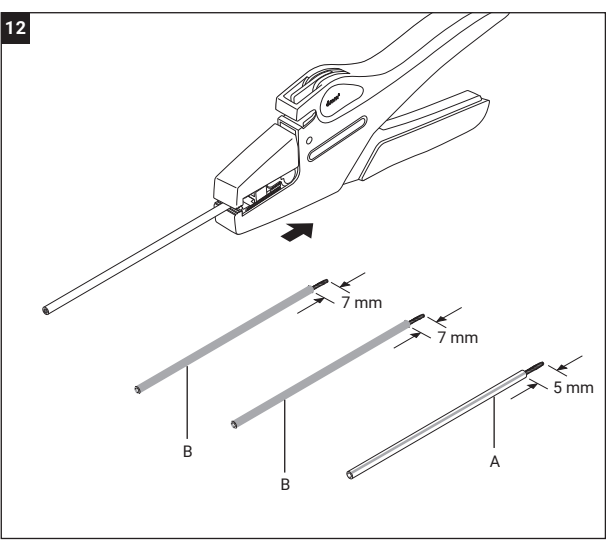
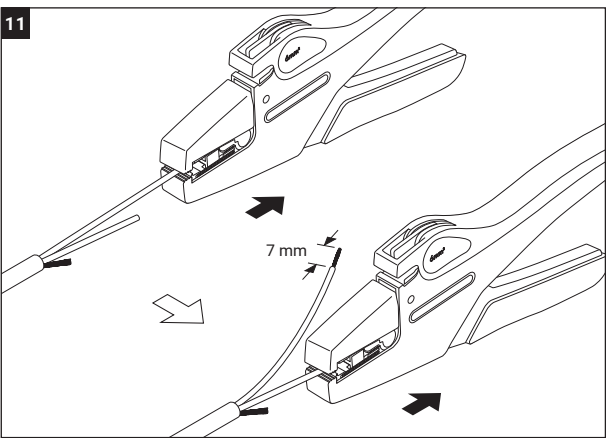
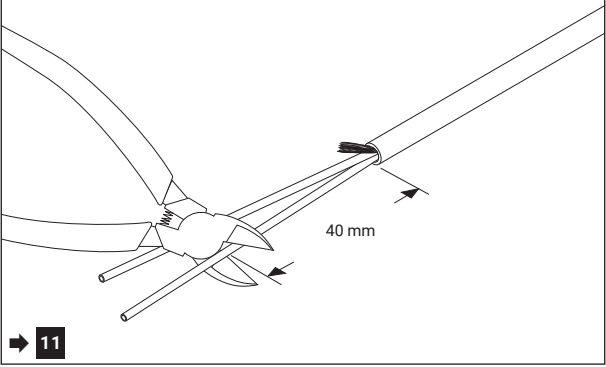
**8** T2Black



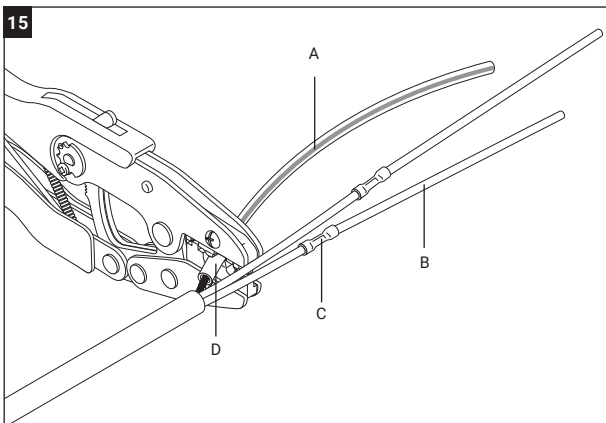
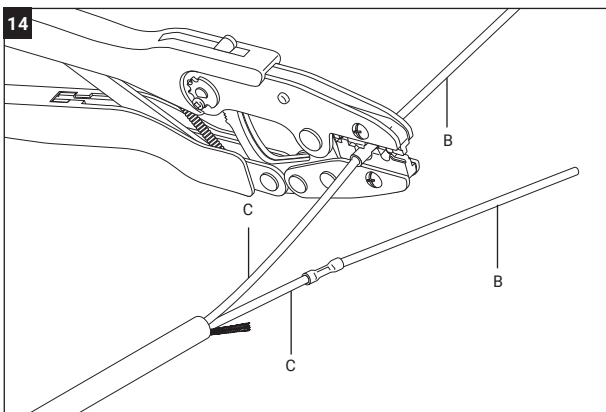
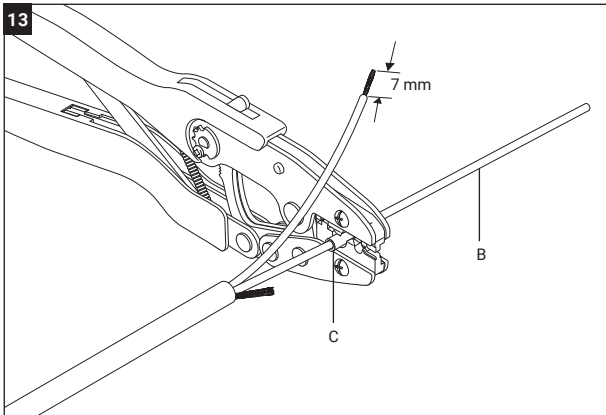
**9** T2Black

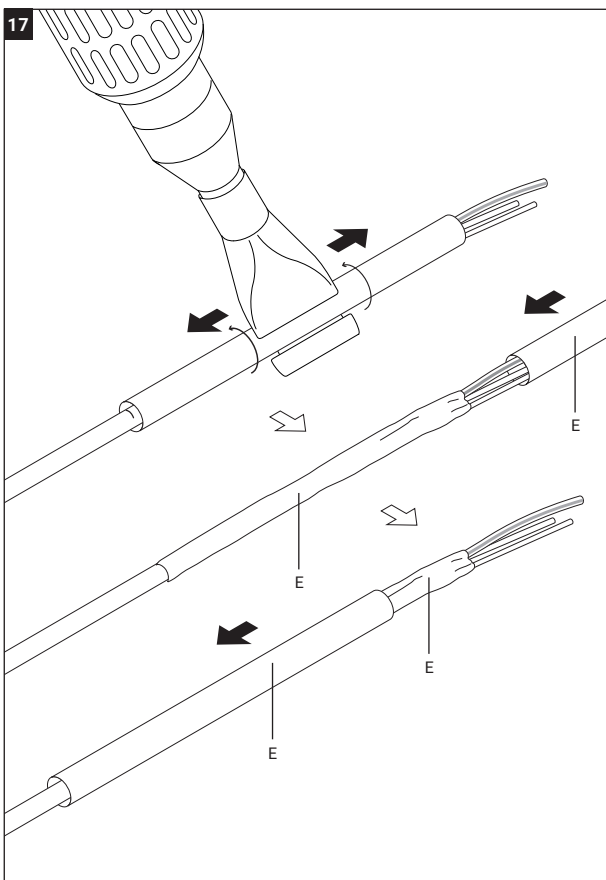
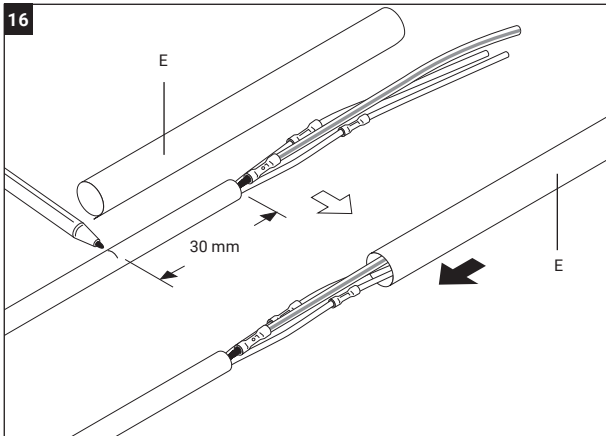


**10 T2Black**

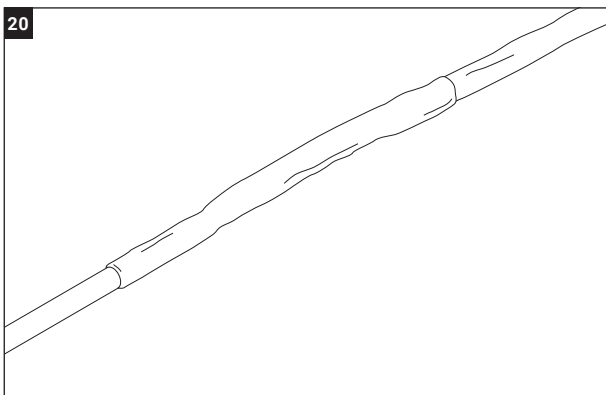
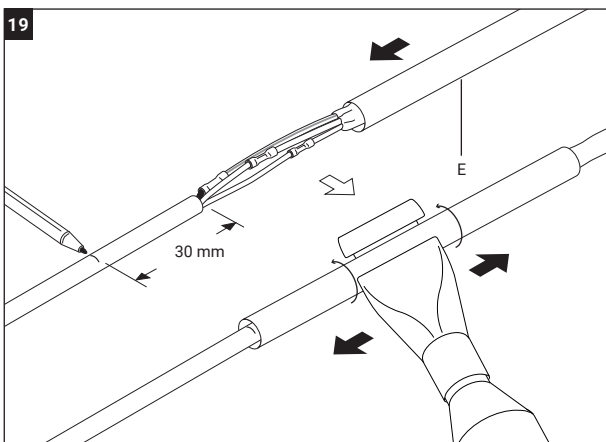
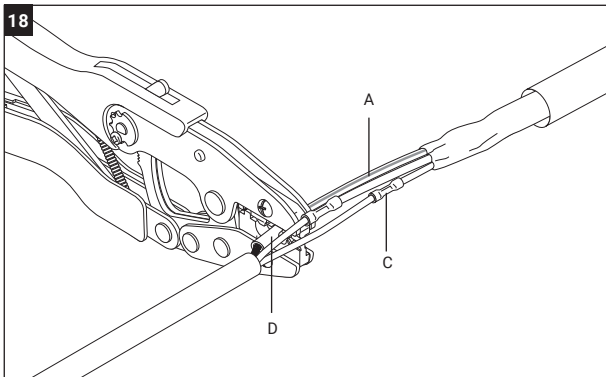








- 1**
- 2**
- 3**
- 4**
- 5**
- 6**
- 7**
- 8**
- 9**
- 10**
- 11**



T2Green

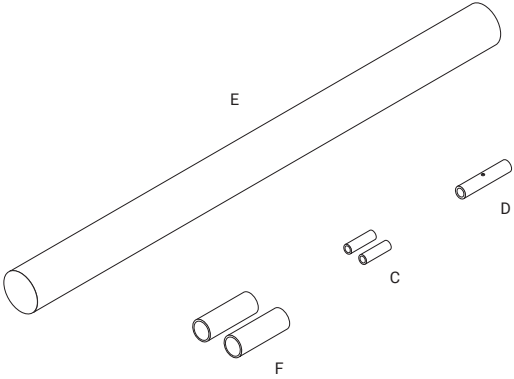
T2Blue

T2Black

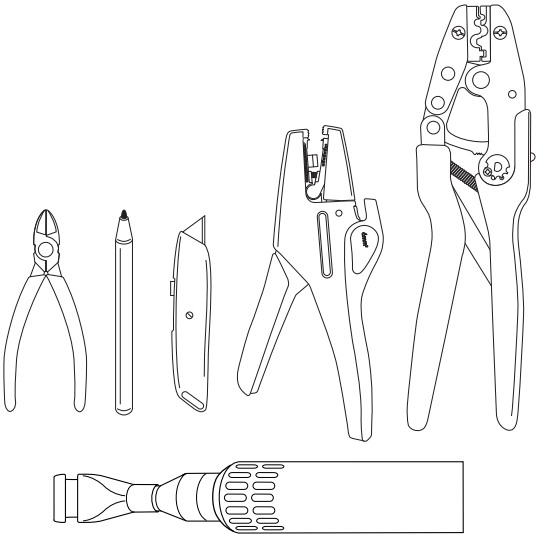
QuickNet



**A**



**B**



**ENGLISH**

C, D Crimps  
E, F Heat-shrinkable sleeves

**DEUTSCH**

C, D Crimp-Verbinder  
E, F Schrumpfschläuche

**FRANÇAIS**

C, D Fûts à sertir  
E, F Manchons  
thermorétractables

**NEDERLANDS**

C, D Krimpverbinders  
E, F Krimpkousen

**NORSK**

C, D Klemforbindelser  
E, F Fôringer som krymper  
under varme

**SVENSKA**

C, D Klämhylsor  
E, F Krymphylsor

**DANSK**

C, D Klemmer  
E, F Krympbare slanger

**SUOMI**

C, D Puristushylsyt  
E, F Kutistelektut

**ITALIANO**

C, D Connettori  
E, F Manicotti  
termorestringenti

**POLSKI**

C, D Zaciski zagniatane  
E, F Koszulki termokurcziwe

**РУССКИЙ**

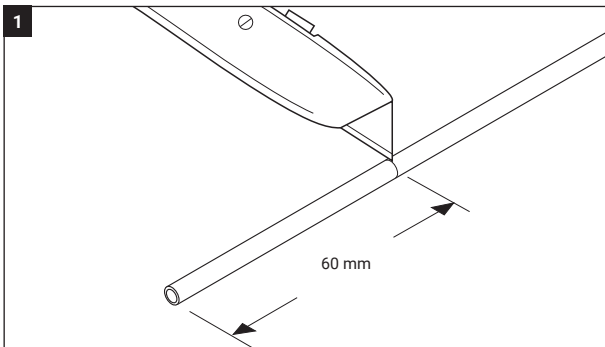
C, D Гофры  
E, F Термоусадочные  
трубки

**ČESKY**

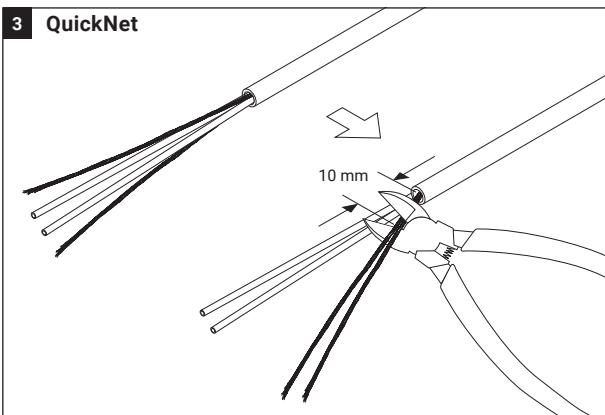
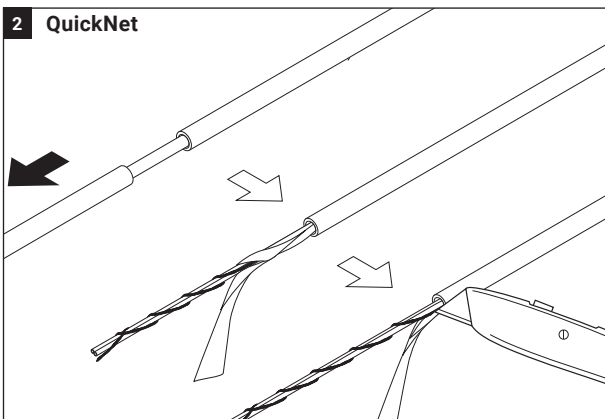
C, D Obruby  
E, F Teplem smršťované  
trubice

**MAGYAR**

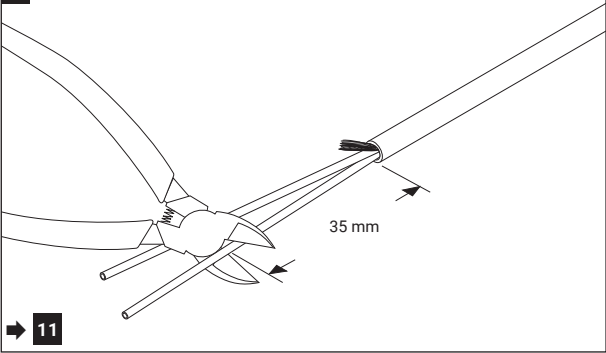
C, D Cjevčice za zaštitu spoja  
E, F Termoskupljajuće  
spojnice



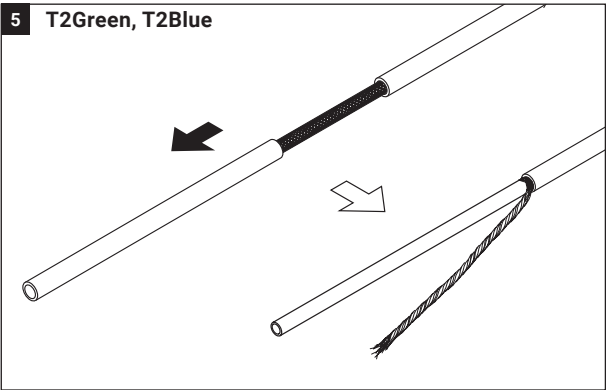
QuickNet → **2** T2Green/T2Blue → **5** T2Black → **8**



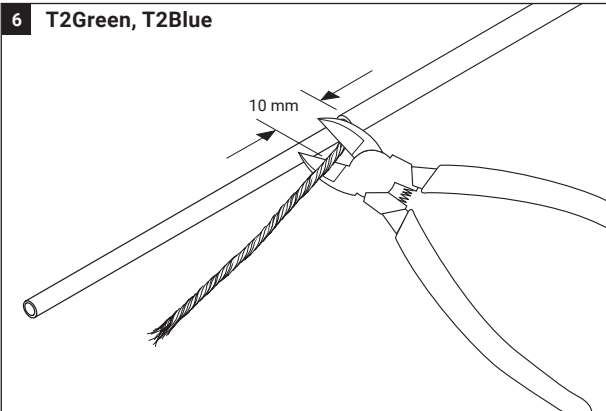
**4 QuickNet**



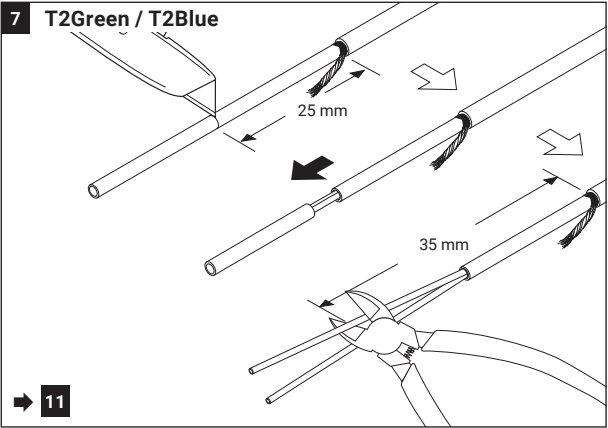
**5 T2Green, T2Blue**



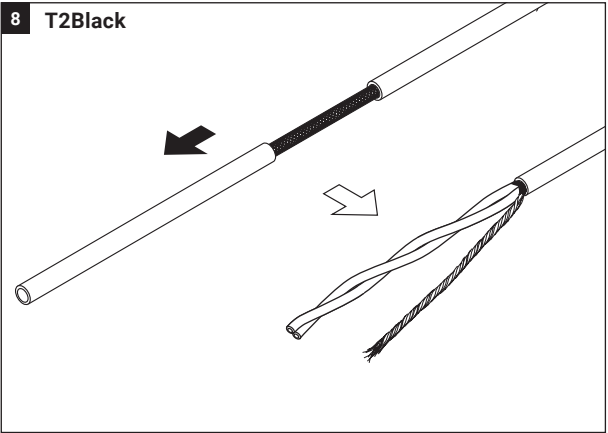
**6 T2Green, T2Blue**



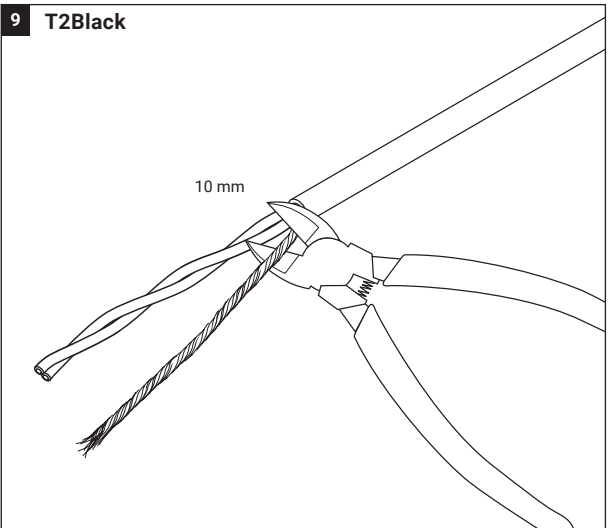
**7** T2Green / T2Blue



**8** T2Black

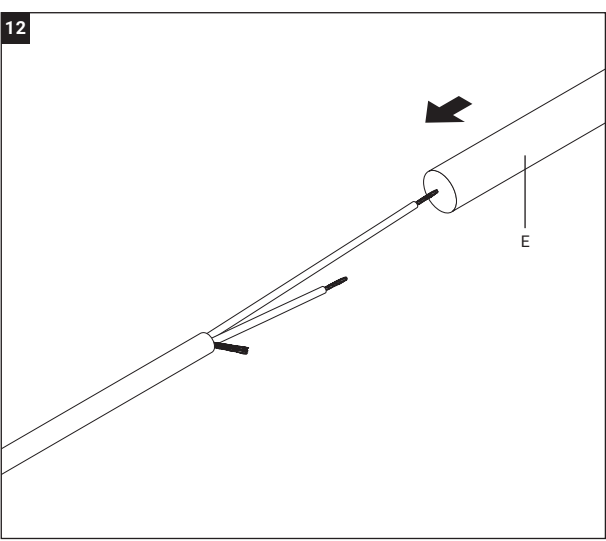
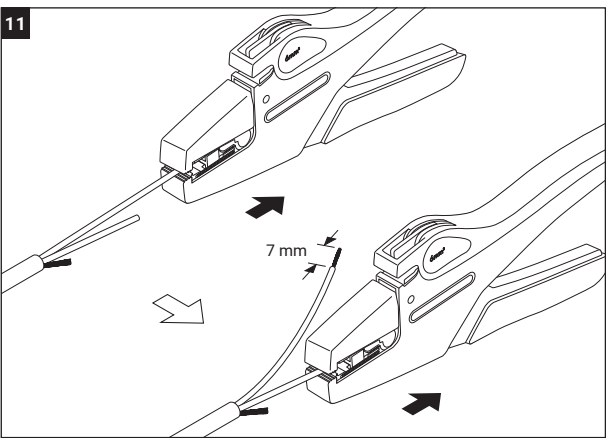
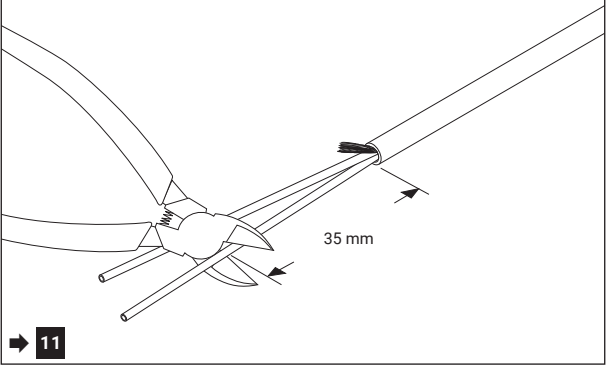


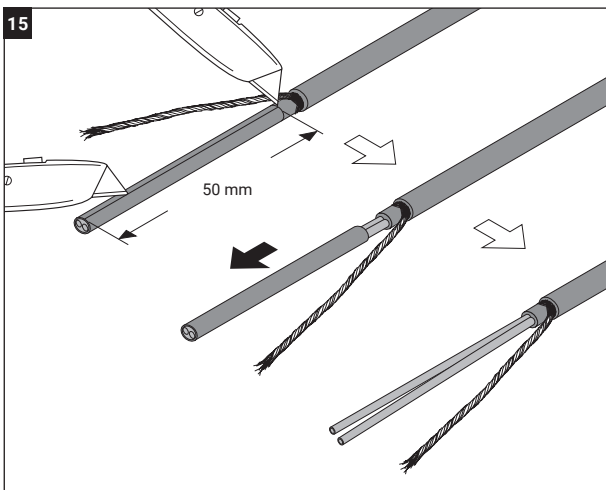
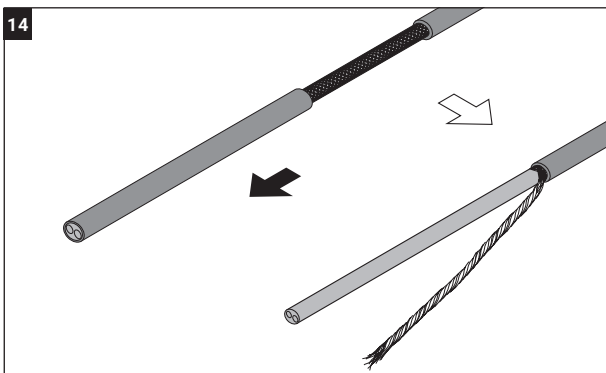
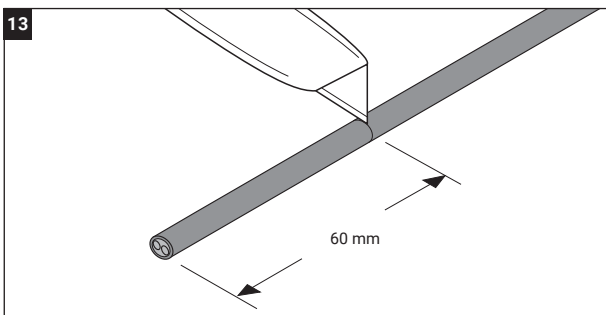
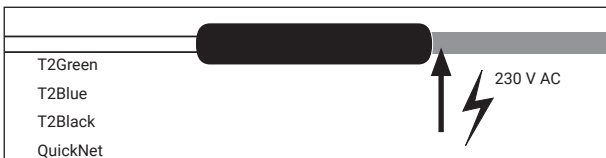
**9** T2Black



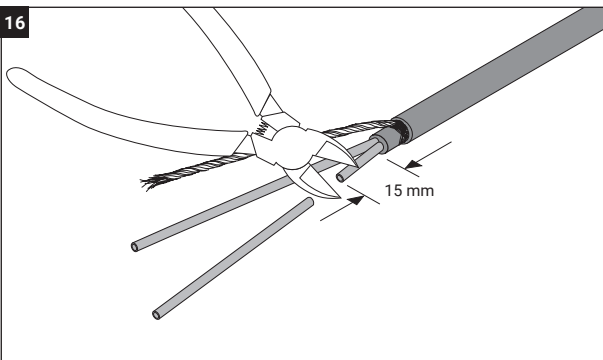


**10 T2Black**

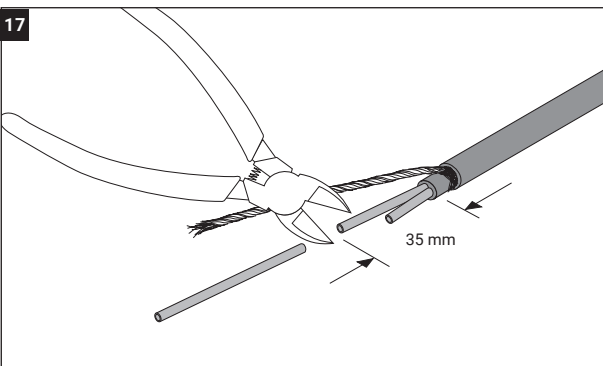




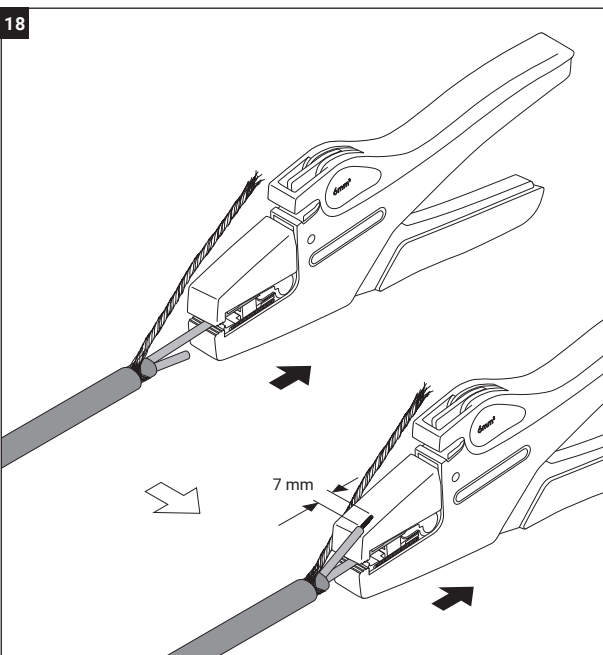
16



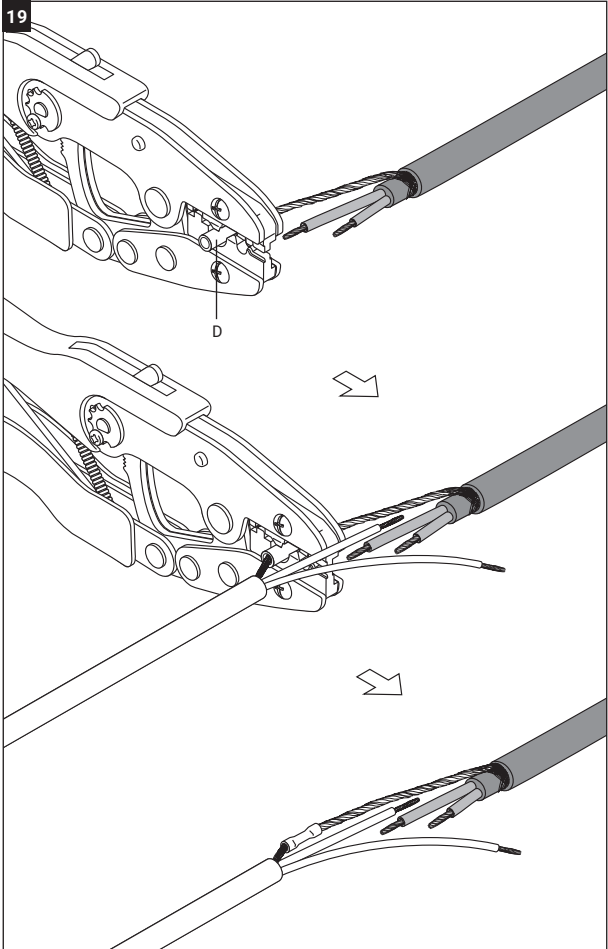
17



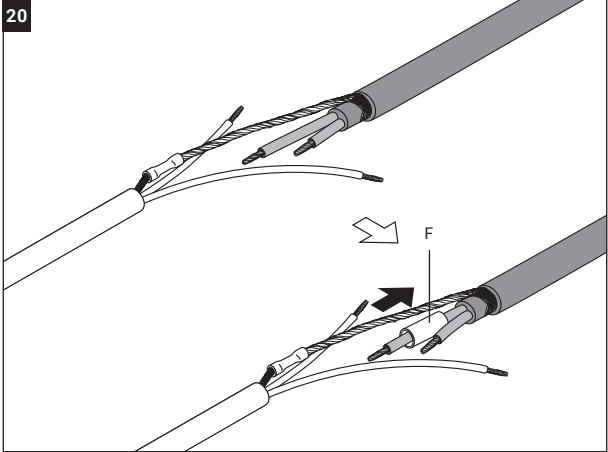
18



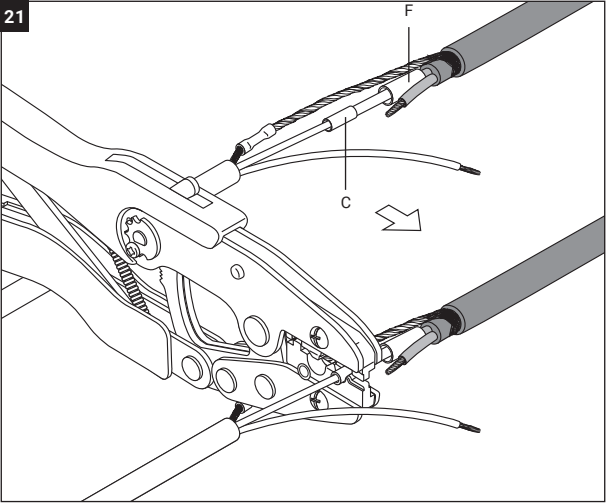
19



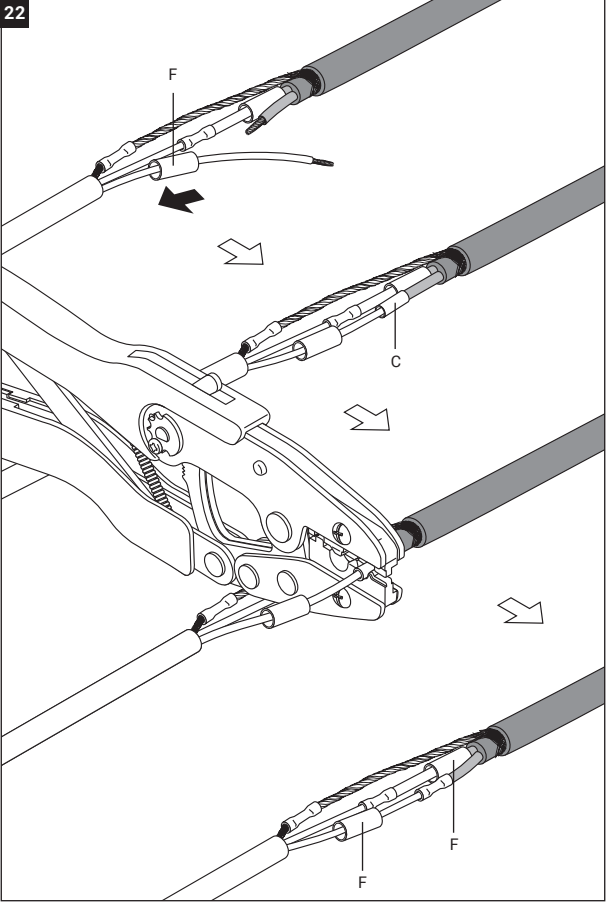
20



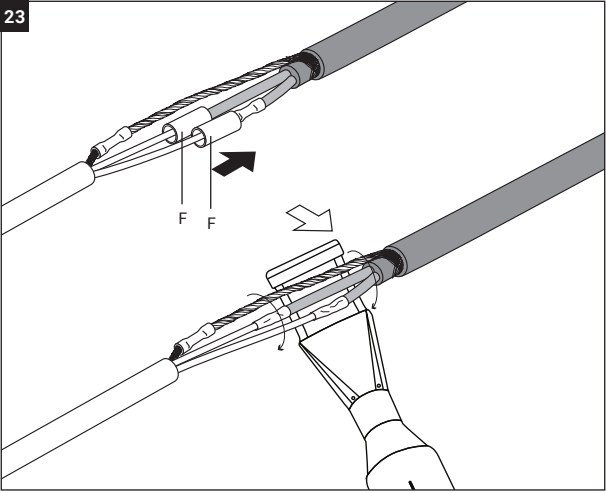
21



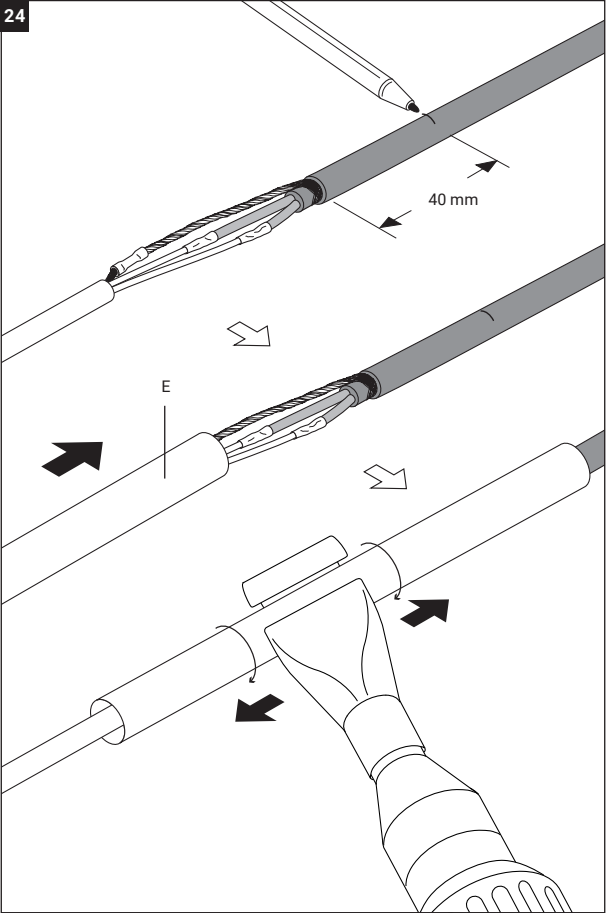
22

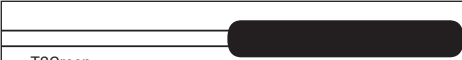


23



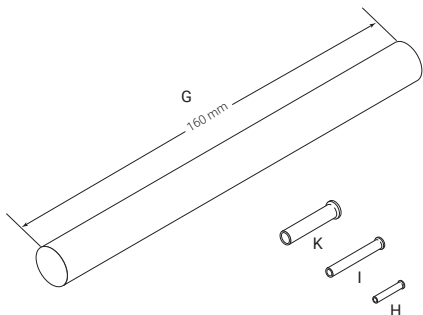
24



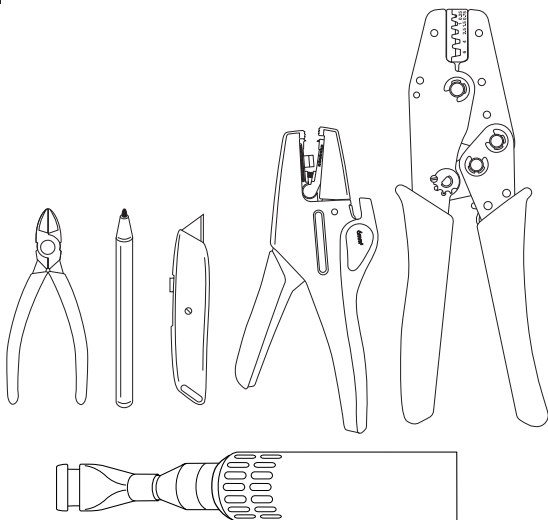


T2Green  
T2Blue  
T2Black  
QuickNet

**A**



**B**



**ENGLISH**

G Heat-shrinkable sleeves  
H, I, K End sleeves

**DEUTSCH**

G Schrumpfschläuche  
H, I, K Endhülsen

**FRANÇAIS**

G. Manchons thermorétractables  
H, I, K. Manchons d'extrémité

**NEDERLANDS**

G Krimpousen  
H, I, K Krimpverbinders

**NORSK**

G Fôringer som krymper under varme  
H, I, K Slutfôringer

**SVENSKA**

G Krymphylsor  
H, I, K Ändhylsor

**DANSK**

G Krympbare slanger  
H, I, K Slangeender

**SUOMI**

G Kutisteletkut  
H, I, K Loppupäätteet

**ITALIANO**

G Manicotti termorestringenti  
H, I, K manicotti terminali

**POLSKI**

G Koszulki termokurczliwe  
H, I, K Koszulki końcowe

**РУССКИЙ**

G термоусадочные трубки  
H, I, K концевые трубки

**ČESKY**

G Teplem smršťované trubice  
H, I, K Koncové trubice

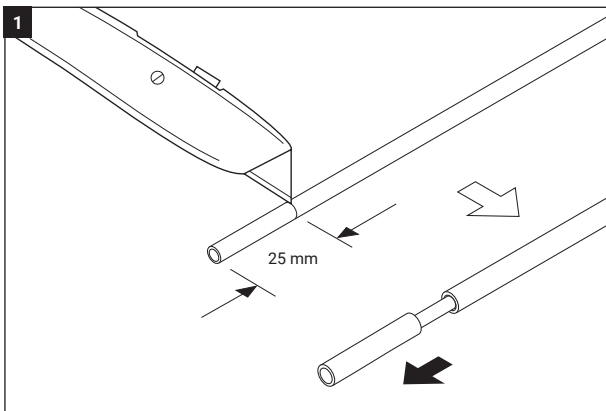
**MAGYAR**

G Zsugorfólia csövek  
H, I, K Záróelem

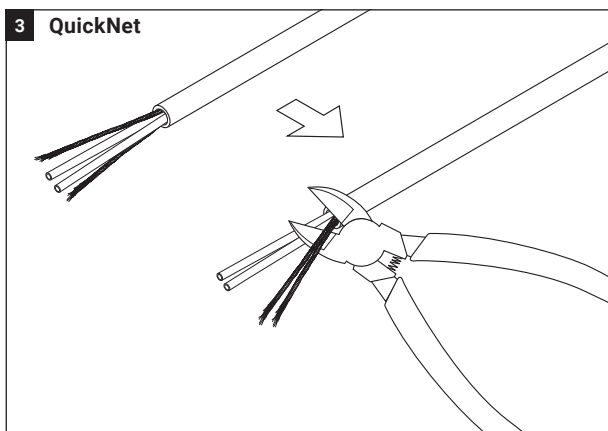
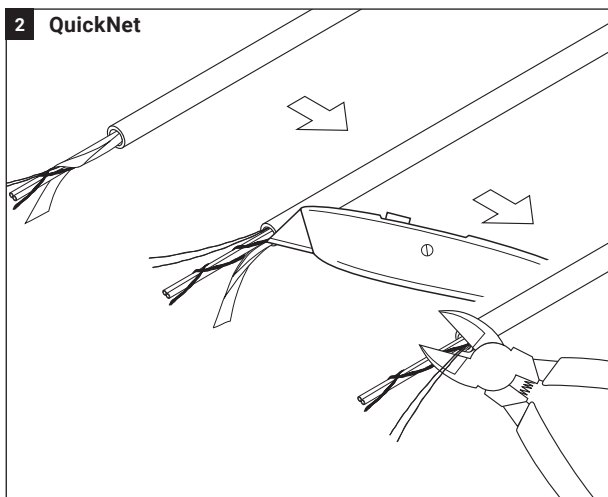


<b>C</b>	<b>ferrule crimp type</b>	<b>yarn colours</b>	<b>T2Green (m)</b>	<b>T2Blue-A (m)</b>	<b>T2Blue-C (m)</b>	<b>QuickNet-N (m<sup>2</sup>)</b>	<b>QuickNet-P (m<sup>2</sup>)</b>	<b>T2Blue Mat (W - m<sup>2</sup>)</b>
H	White - Yellow	15	10		1		130W-1,2m <sup>2</sup>	
H	White - Orange	20	15	11	1,5	1		
H	White-White	25	20	14	2		265W-2,4m <sup>2</sup>	
H	Red-Orange					1,5		
H	White - Red	35	25	18	2,5			
H	Grey-Grey	40	30	21	3	2	400W-3,7m <sup>2</sup>	
H	White - Brown	50	35		3,5			
H	Red-Brown					2,5		
H	Violet-Violet		40	28	4		530W-4,9m <sup>2</sup>	
H	White - Black	60	45		4,5	3		
H	Blue-Blue		50	35	5			
H	Red-Violet	70				3,5		
H	Red-Black		55					
H	Green-Green	85	60	43	6	4	800W-7,4m <sup>2</sup>	
H	Yellow-Green		65			4,5		
H	Yellow-Yellow	100	70	50	7		925W-8,5m <sup>2</sup>	
H	White-Green		75			5		
H	Orange-Orange	115	80	57	8			
H	Red-Red		90	63	9	6	1185W-10,9m <sup>2</sup>	
H	Brown-Brown		101	71	10		1335W-12,3m <sup>2</sup>	
H	Red-Green					7		
H	Black-Black		121	86	12	8	1605W-14,8m <sup>2</sup>	
I	Violet-White		40	28			530W-4,9m <sup>2</sup>	
I	Red-Blue		55					
I	Blue-Yellow	85	60	43			800W-7,4m <sup>2</sup>	
I	Black-Orange		150			9		
I	Black-Yellow		142	101			1885W-17,4m <sup>2</sup>	
I	Black-Green					10		
I	Black-Violet		160	115			2150W-19,9m <sup>2</sup>	
K	Black-Grey		180				2375W-22,2m <sup>2</sup>	
K	Green-Brown		200					

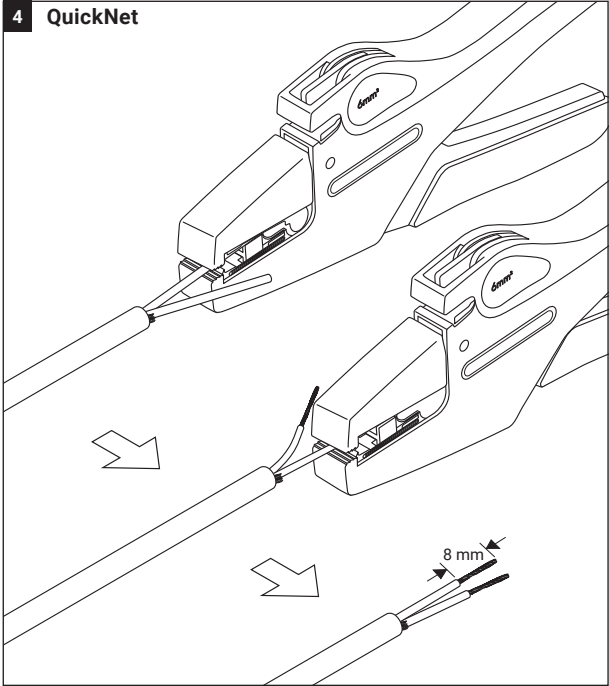
<b>D</b>	<b>T2Black DESCRIPTION</b>	<b>Ferrule Crimp type</b>
	R-BK-B-14.5M-180W/***	H
	R-BK-B-20.0M-250W/***	H
	R-BK-B-26.5M-325W/***	H
	R-BK-B-35.5M-435W/***	H
	R-BK-B-46.0M-565W/***	H
	R-BK-B-55.0M-665W/***	H
	R-BK-B-73.0M-895W/***	I
	R-BK-B-98.0M-1210W/***	K
	R-BK-C-12.0M-215W/***	H
	R-BK-C-16.0M-310W/***	H
	R-BK-C-21.0M-410W/***	H
	R-BK-C-28.0M-550W/***	H
	R-BK-C-43.0M-850W/***	H
	R-BK-C-57.0M-1150W/***	I
	R-BK-C-74.0M-1490W/***	K
	R-BK-C-82.0M-1625W/***	H
	R-BK-C-109.0M-2200W/**	I



QuickNet → **2** T2Green/T2Blue → **6** T2Black → **10**

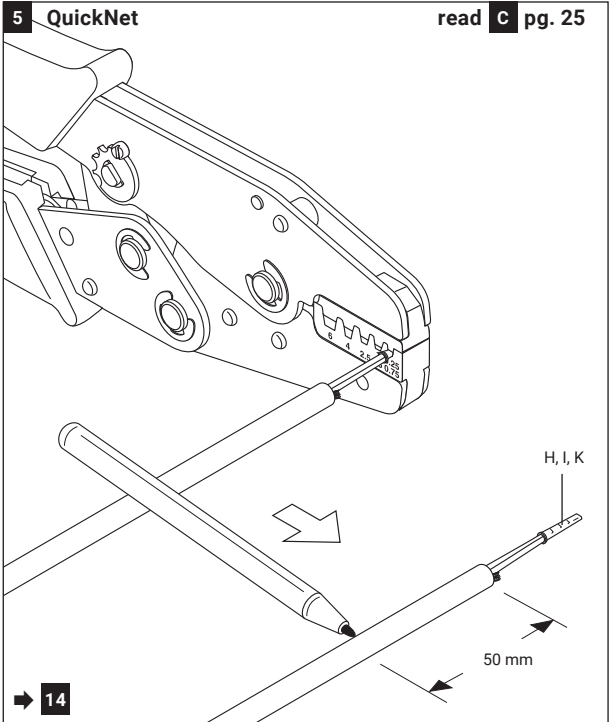


**4 QuickNet**

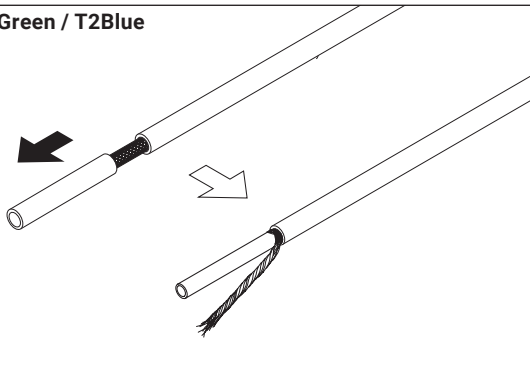


**5 QuickNet**

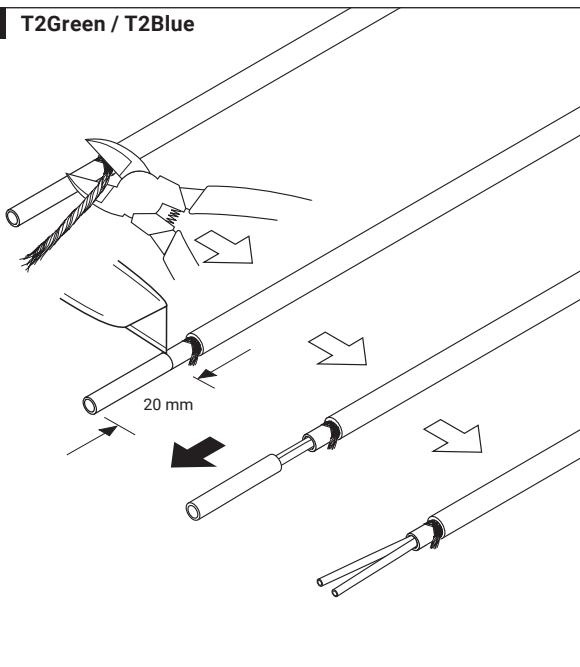
read **C** pg. 25



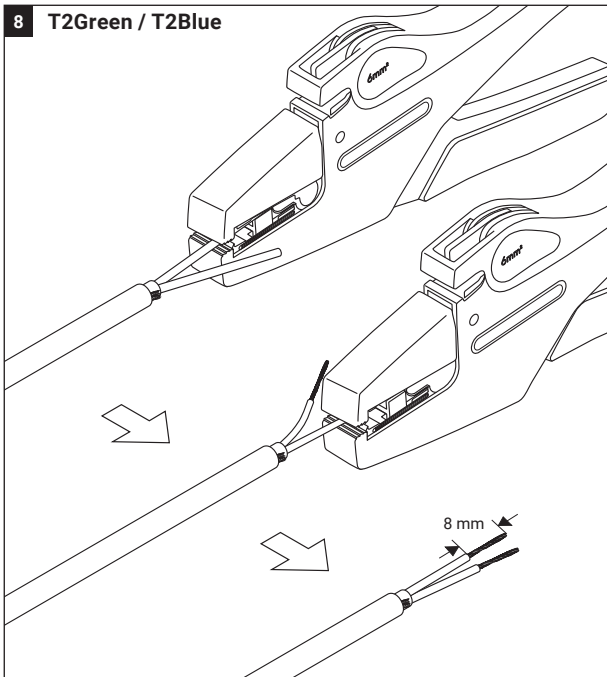
**6** T2Green / T2Blue



**7** T2Green / T2Blue

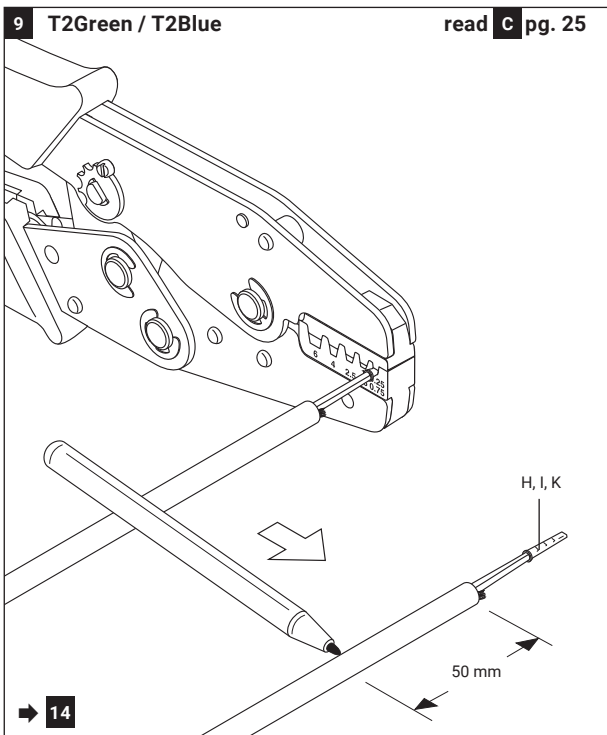


**8** T2Green / T2Blue



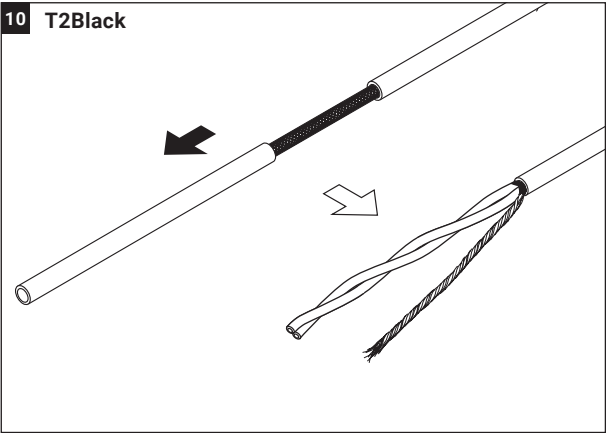
**9** T2Green / T2Blue

read **c** pg. 25

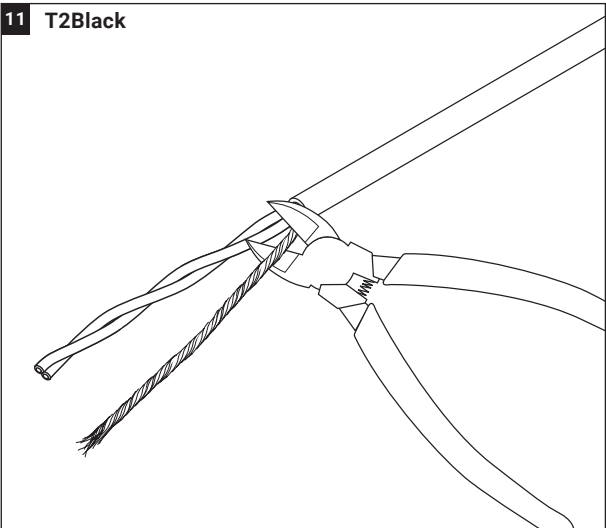


➔ **14**

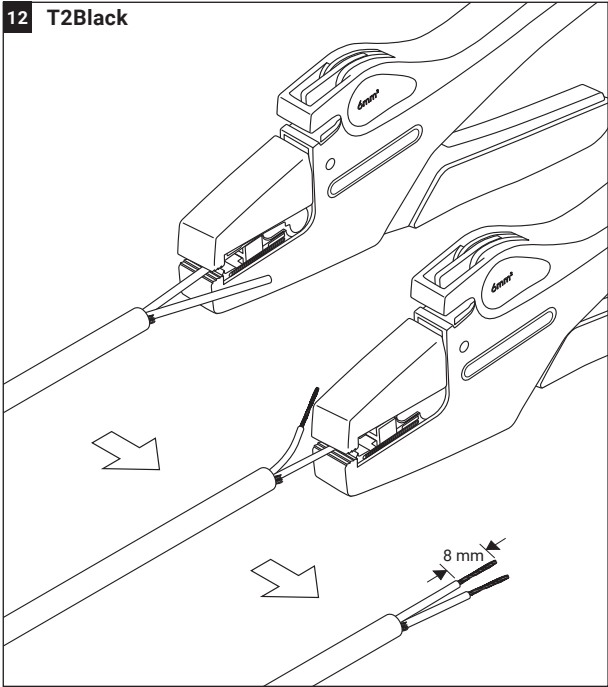
**10 T2Black**



**11 T2Black**

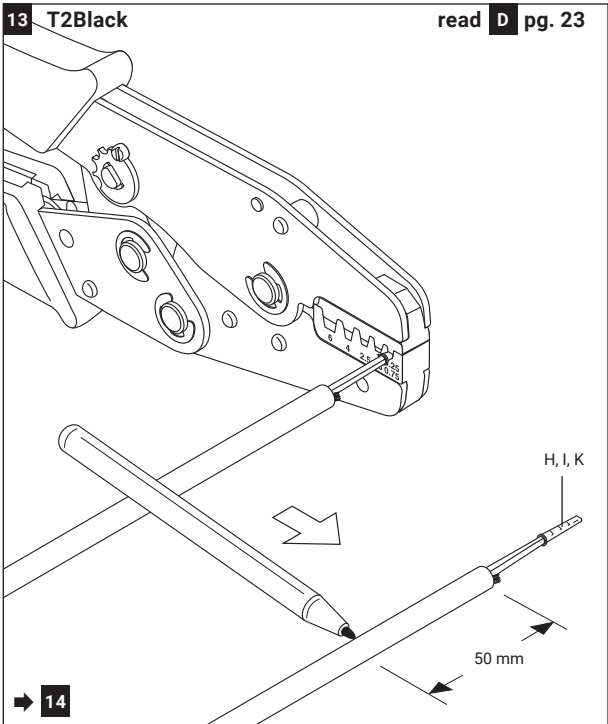


**12 T2Black**



**13 T2Black**

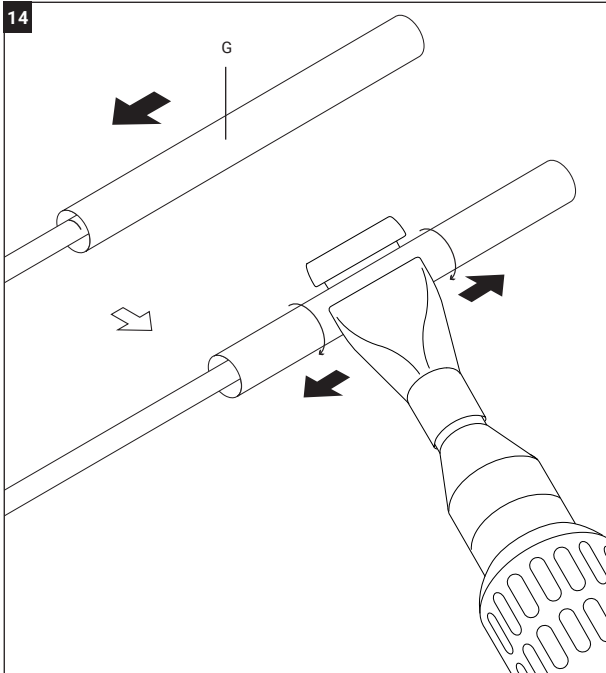
read **D** pg. 23



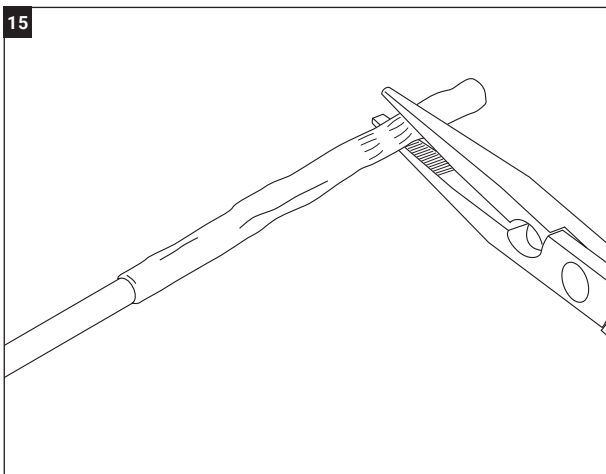
**14**

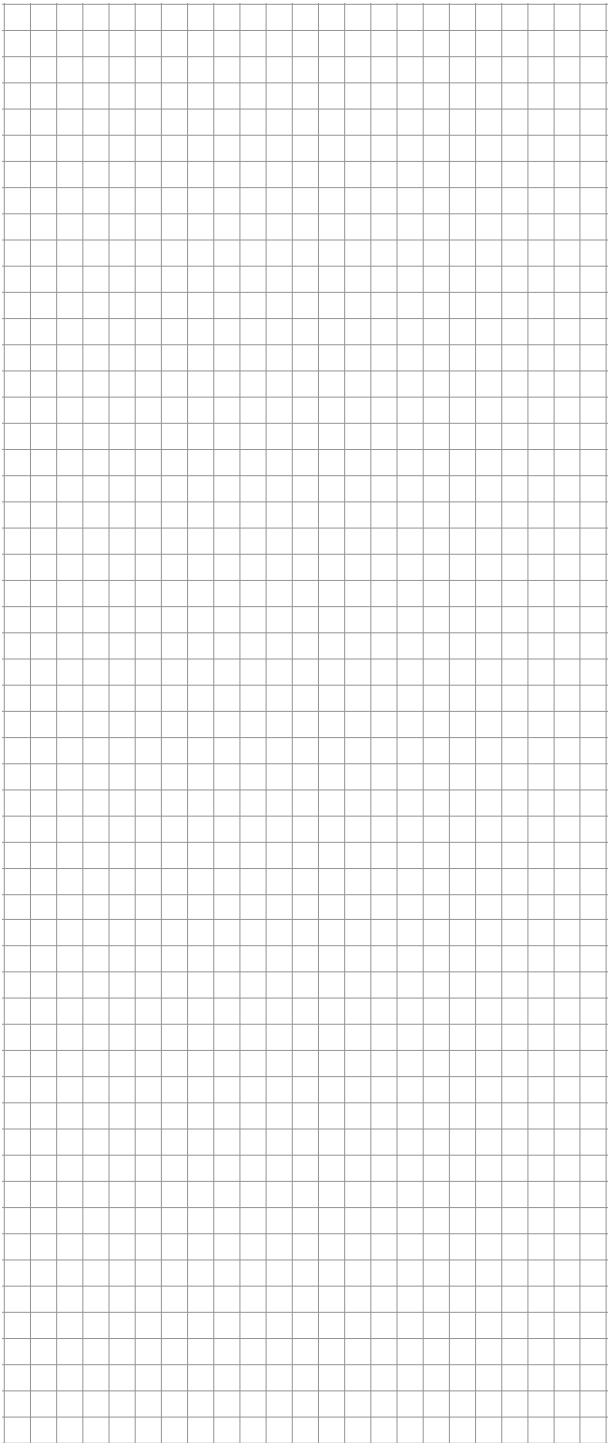


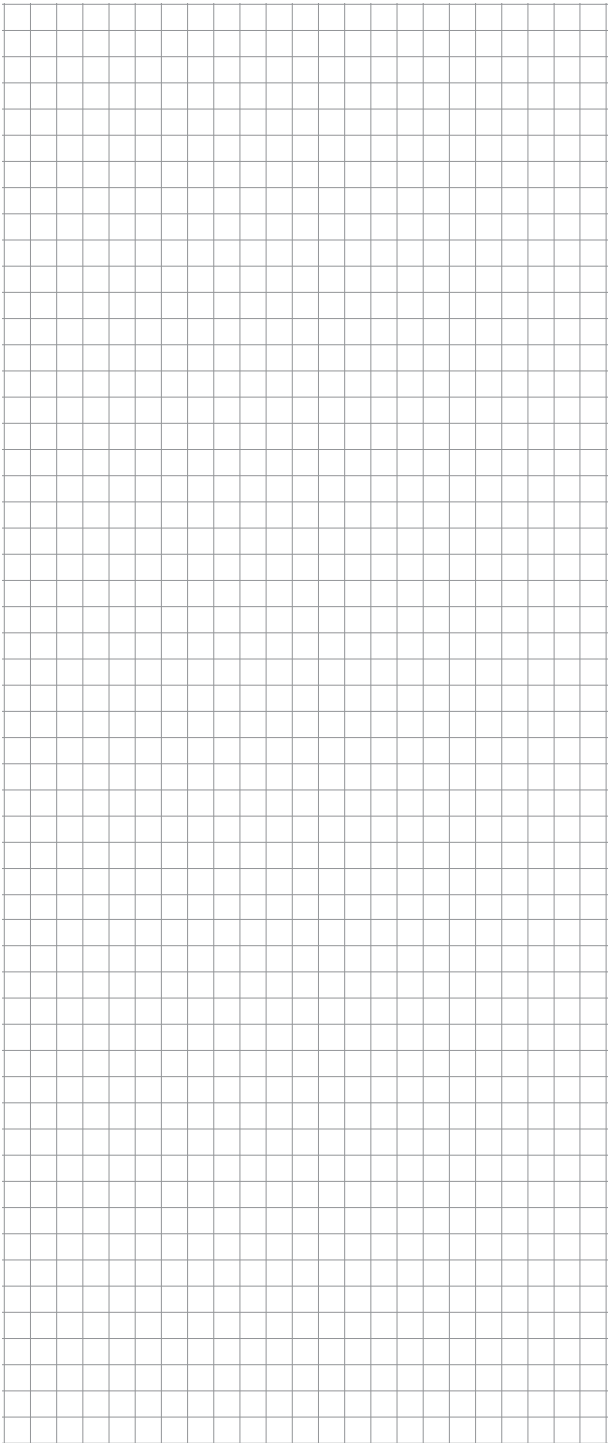
14



15







**België/Belgique**

Tel +32 16 21 35 02  
Fax +32 16 21 36 04  
salesbelux@nVent.com

**Bulgaria**

Tel +359 5686 6886  
Fax +359 5686 6886  
salesee@nVent.com

**Česká Republika**

Tel +420 606 069 618  
czechinfo@nVent.com

**Danmark**

Tel +45 70 11 04 00  
salesdk@nVent.com

**Deutschland**

Tel 0800 1818205  
Fax 0800 1818204  
salesde@nVent.com

**España**

Tel +34 911 59 30 60  
Fax +34 900 98 32 64  
ntm-sales-es@nVent.com

**France**

Tél 0800 906045  
Fax 0800 906003  
salesfr@nVent.com

**Hrvatska**

Tel +385 1 605 01 88  
Fax +385 1 605 01 88  
salesee@nVent.com

**Italia**

Tel +39 02 577 61 51  
Fax +39 02 577 61 55 28  
salesit@nVent.com

**Lietuva/Latvija/Eesti**

Tel +370 5 2136633  
Fax +370 5 2330084  
info.baltic@nVent.com

**Magyarország**

Tel +36 1 253 7617  
Fax +36 1 253 7618  
saleshu@nVent.com

**Nederland**

Tel 0800 0224978  
Fax 0800 0224993  
salesnl@nVent.com

**Norge**

Tel +47 66 81 79 90  
salesno@nVent.com

**Österreich**

Tel 0800 29 74 10  
Fax 0800 29 74 09  
salesat@nVent.com

**Polska**

Tel +48 22 331 29 50  
Fax +48 22 331 29 51  
salespl@nVent.com

**Republic of Kazakhstan**

Tel +7 7122 32 09 68  
Fax +7 7122 32 55 54  
saleskz@nVent.com

**Россия**

Тел +7 495 926 18 85  
Факс +7 495 926 18 86  
salesru@nVent.com

**Serbia and Montenegro**

Tel +381 230 401 770  
Fax +381 230 401 770  
salesee@nVent.com

**Schweiz/Suisse**

Tel +41 (41) 766 30 80  
Fax +41 (41) 766 30 81  
infoBaar@nVent.com

**Suomi**

Puh 0800 11 67 99  
salesfi@nVent.com

**Sverige**

Tel +46 31 335 58 00  
salesse@nVent.com

**Türkiye**

Tel +90 545 284 09 05  
Fax +32 16 21 36 04  
salesee@nVent.com

**United Kingdom**

Tel 0800 969013  
Fax 0800 968624  
salesthermalUK@nVent.com



[nVent.com/RAYCHEM](http://nVent.com/RAYCHEM)

©2021 nVent. All nVent marks and logos are owned or licensed by nVent Services GmbH or its affiliates. All other trademarks are the property of their respective owners. nVent reserves the right to change specifications without notice.

RAYCHEM-IM-INST306-UACCFHCWSPCOM-ML-2105

PCN 1244-008859